

Bosch BCN 51

10.27.0410
1.812.412.20

PAGE

PIN ASSIGNMENT OF SLAVE REMOTE CONNECTORS A AND B

SLAVE REMOTE CONNECTOR A :

PIN	SIGNAL NAME	FUNCTION	SIGNALTYPE
1	TIMER1	Timer signal line	
2	TIMER2	Shield	
3	B.PLAY	Play status	
4	B.REC	Rec "	
5	B.SHUTTLE	Shuttle "	
6	B.STOP	Stop "	
7	B.READY	Ready "	
8	B.EDIT	Edit "	
9	B.ASEMB	Assemble "	
10	B.INSERT	Insert "	
11	B.AUTO	Auto "	
12	B.SEARCH	Search "	
13	-		
14	A.SHUT	+6V shuttle speed	D.C.
15	PLAY	Play command	2,7V
16	REC	Rec "	"
17	SHUT	Shuttle "	"
18	STOP	Stop "	"
19	READY	Ready "	"
20	OVERRIDE	Override	"
21	KBD A	Keyboard signal line A	"
22	KBD B	" " " B	"
23	KBD C	" " " C	"
24	KBD D	" " " D	"
25	STROBE	Keyboard strobe	"

OC.OUT = output with external pull-up resistor (+28V max.)

SWITCH IN = open collector or switch driving to ground

PAGE

PIN ASSIGNMENT OF SLAVE REMOTE CONNECTORS A AND B

SLAVE REMOTE CONNECTOR B :

PIN	SIGNAL NAME	FUNCTION	SIGNALTYPE
1	0.0 V	GND Synchronizer	SWITCH IN
2	RECEN	Record enable signal	
3			
4			
5			
6	REL 1	Relais contact 1	
7	REL 2	Relais contact 2	
8			
9			
10			
11			
12			
13			
14			
15			
16			
17			
18			
19			
20	GND	Shield cable B	
21	-18V	Synchronizer enable	
22	B.VIDEO	Video ready	
23	B.AUDIO1	AUDIO1 "	
24	B.AUDIO2	AUDIO2 "	
25	B.AUDIO3	AUDIO3 " (TC)	

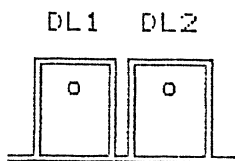
OC.OUT = output with
external pull-
up resistor
(+28V max.)

SWITCH IN = open collector or
switch driving to
ground

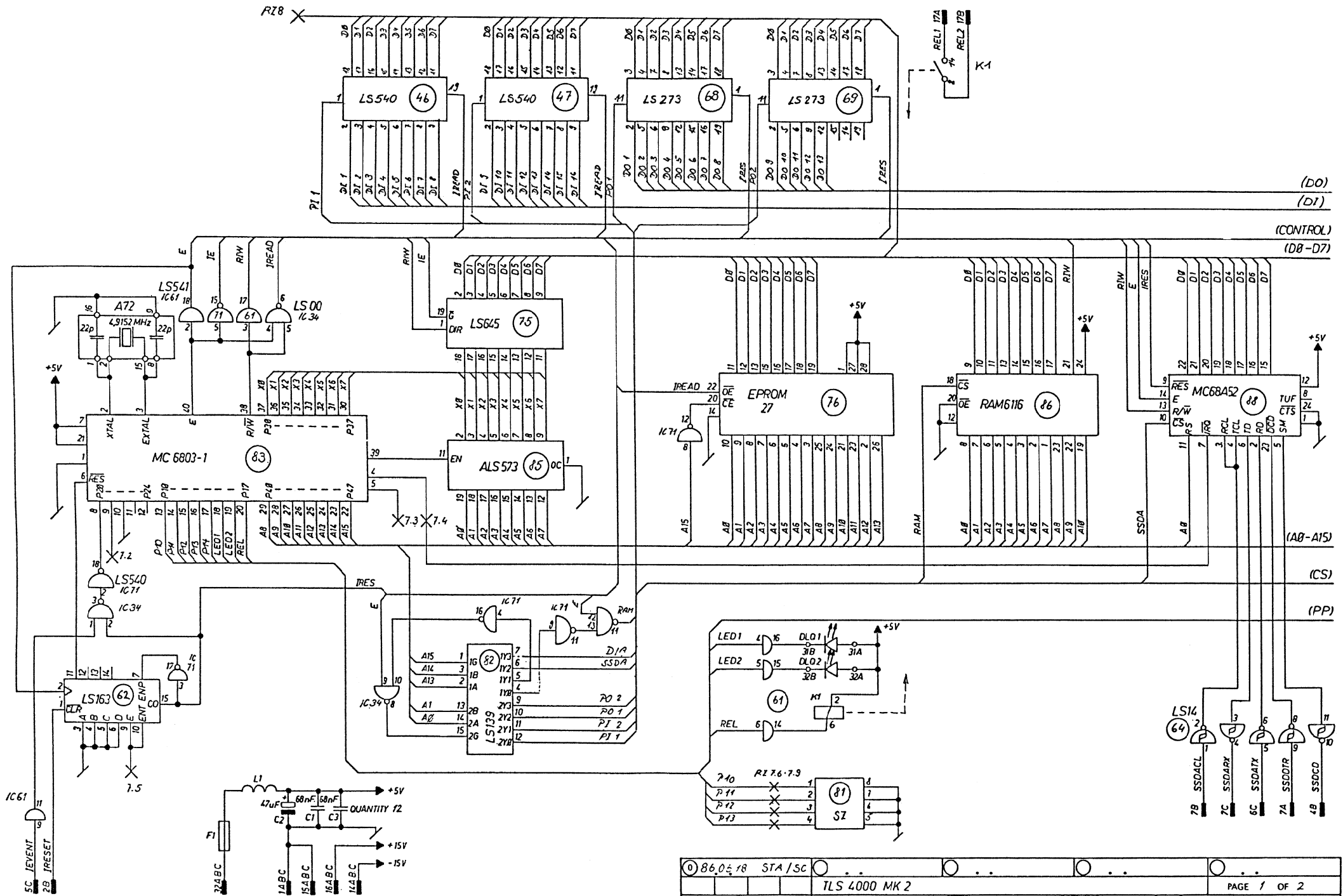
PAGE

STATUS DISPLAYS ON THE INTERFACE

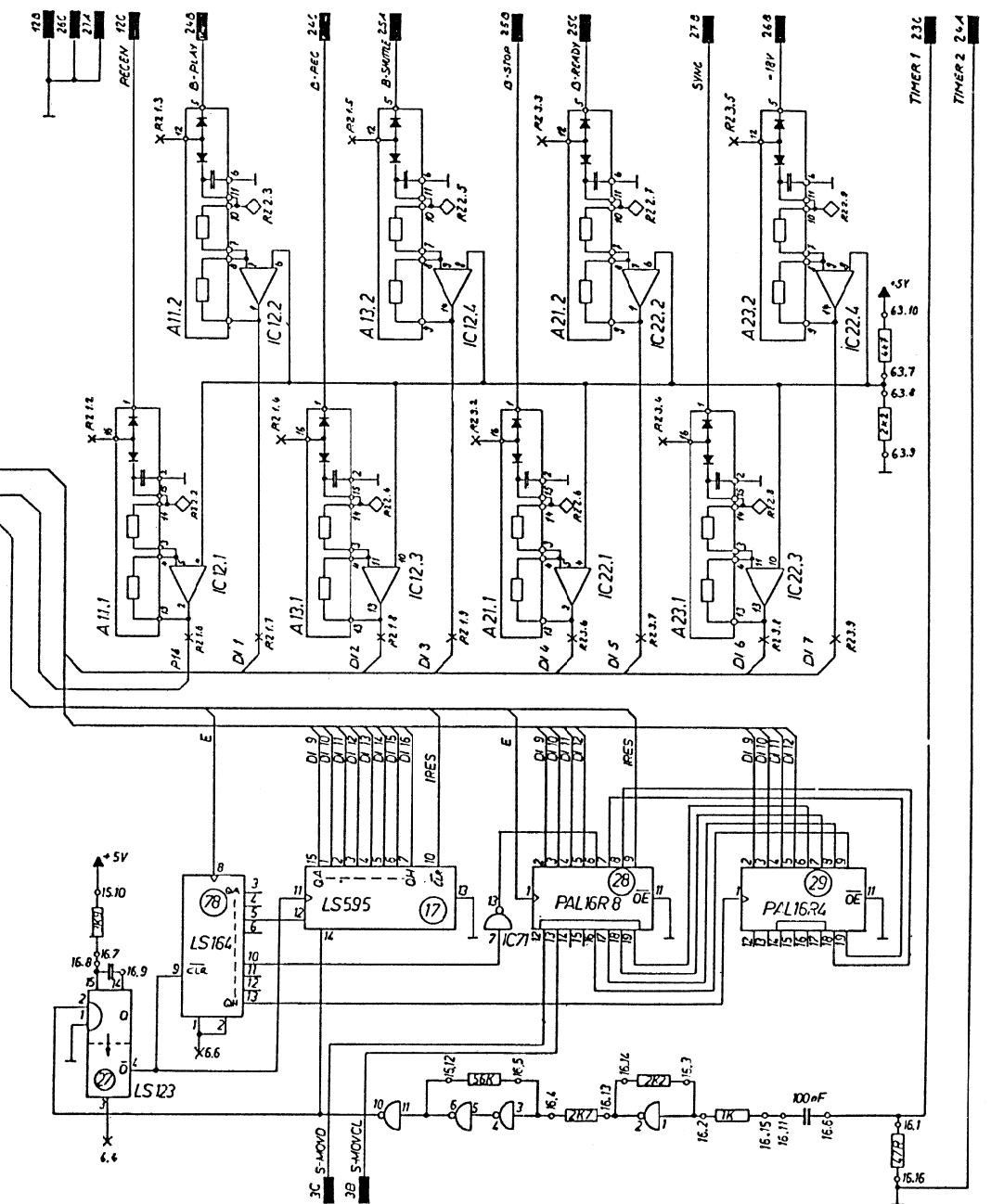
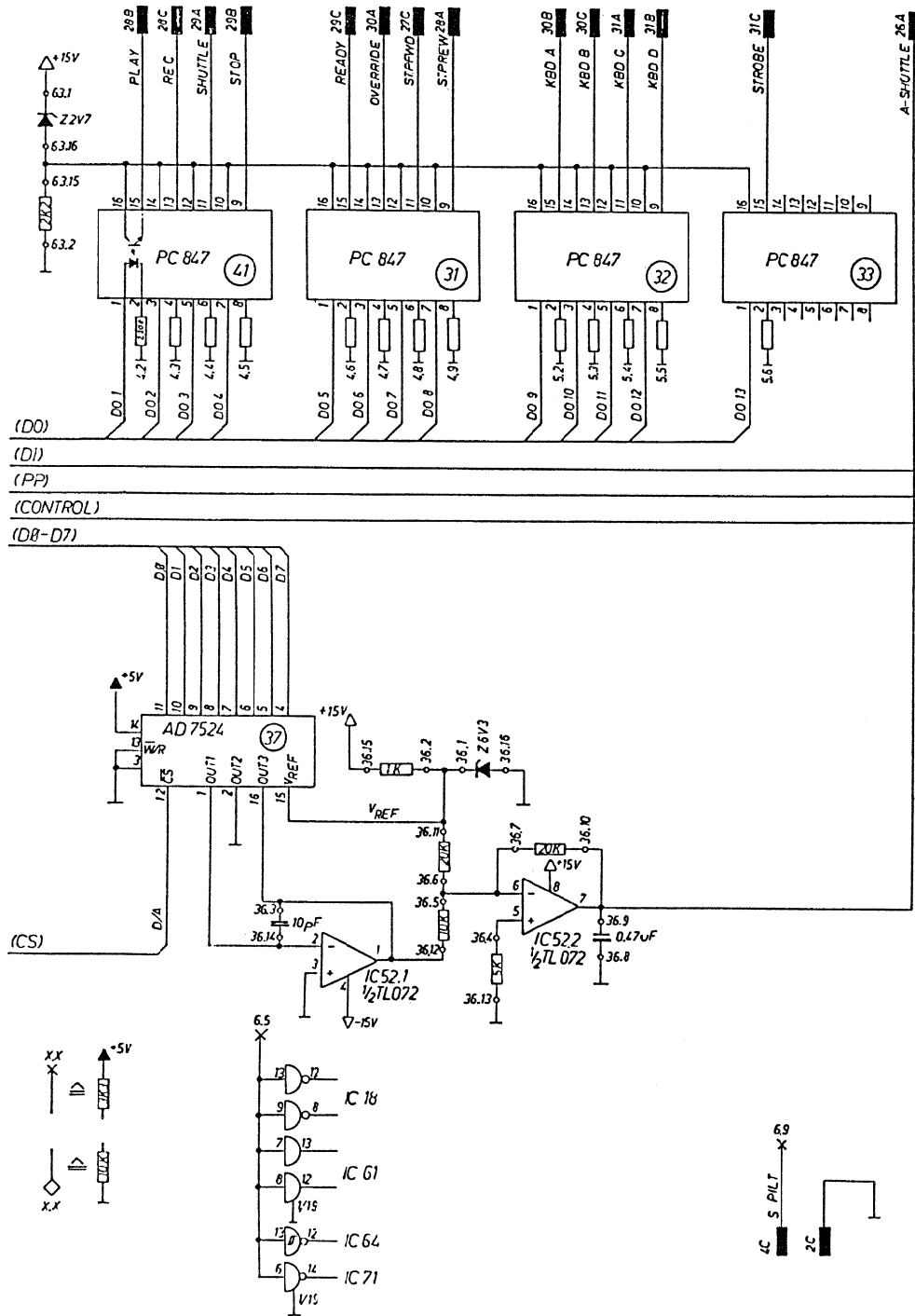
The two LED's on the interface **BCN SA** PCB serve as status indicators and for diagnosing possible problems.

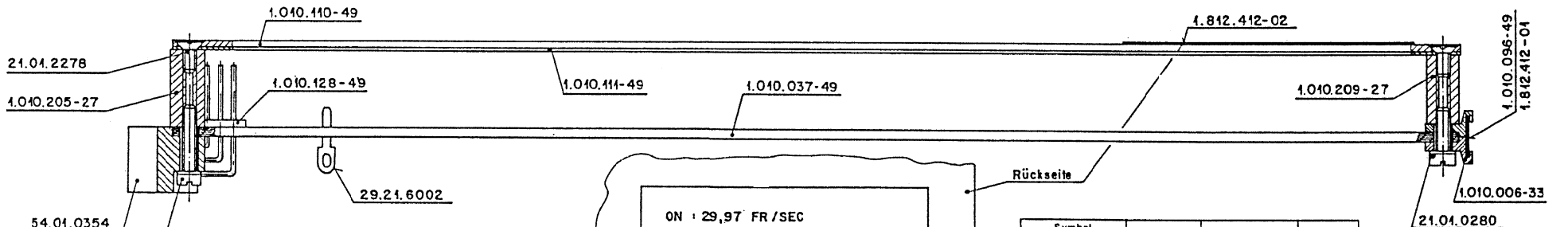
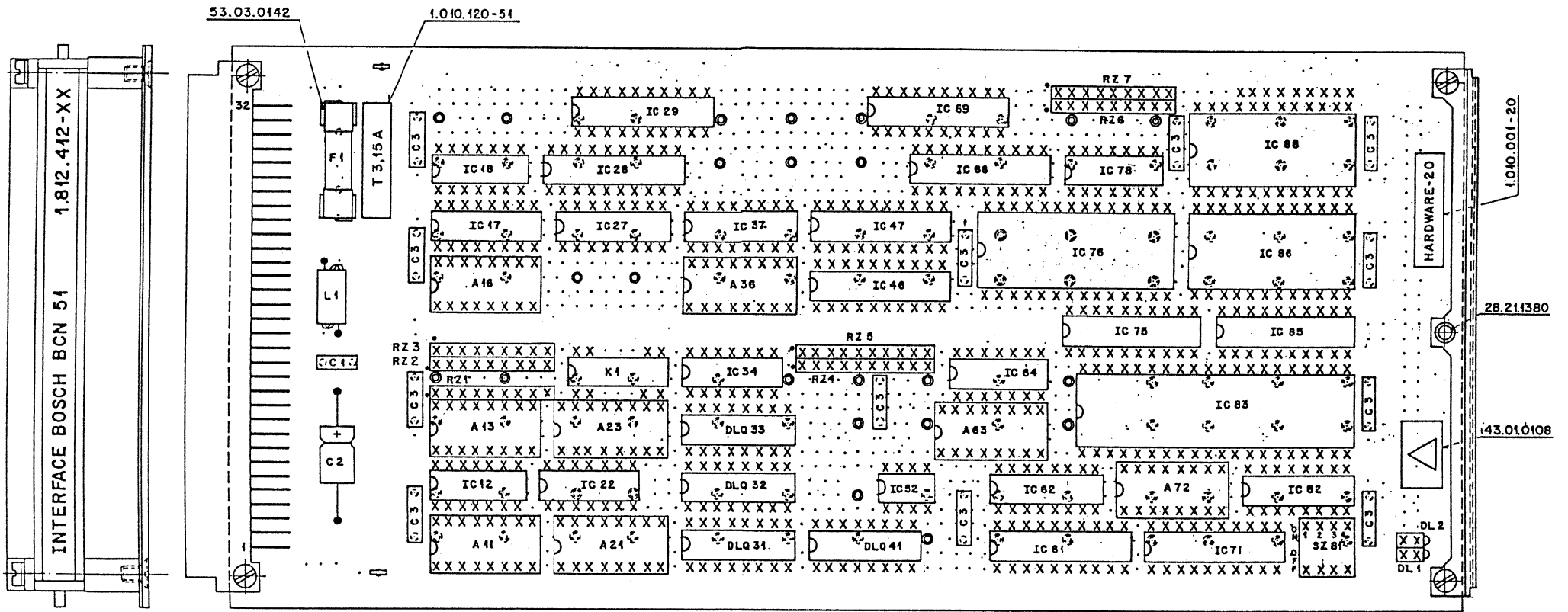


- | | | |
|---|---|---|
| | | after initialisation |
| - | - | no ERROR |
| - | * | EPROM error |
| * | - | RAM error |
| * | * | SSDA error (serial I/O) defectiv |
| | | during operation |
| - | - | no error |
| - | * | |
| * | - | no communication between interface and machine |
| * | * | no communication between interface and synchronizer board |



0 86.05.18 STA/SC	0 . . .	0 . . .	0 . . .	0 . . .
STUDER		INTERFACE BOSCH BCN 51		ESE SC
TLS 4000 MK 2		PAGE 1 OF 2		1.812.412.20





Rückseite

ON : 29,97 FR/SEC
 OFF : 25 FR/SEC

SAFE / READY INP
 ON : LOW = READY
 OFF : LOW = SAFE

P91

DL 2

DL 4

Symbol	verlötet	Gegenstand	Norm Nr.	Anzahl
⊕	⊗	Front Pin	1.010. -54	
X	⊙	Kontakt Pin	1.010.028-54	774
○	⊗	Dummy Pin	1.010.029-54	112

Norm-Nr.:	Güte:	<table border="1"> <tr> <td>Werkstoff:</td> <td>Druck:</td> <td>Änderung</td> </tr> <tr> <td>DIN-Bez.:</td> <td>Beh.:</td> <td></td> </tr> <tr> <td>Abmessung:</td> <td></td> <td></td> </tr> </table>	Werkstoff:	Druck:	Änderung	DIN-Bez.:	Beh.:		Abmessung:		
Werkstoff:	Druck:		Änderung								
DIN-Bez.:	Beh.:										
Abmessung:											
Zugehörige Unterlagen:	Fremdstoleranz:	Maßstab:									
PL		2:1									
Ersetzt für:	Ersetzt durch:	Kopie für:									
STUWER REGENSDORF ZÜRICH		Ausgabe: 23.8.86 A.Ho Datum: Gez. Gepr. Ges. Index									
Benennung: INTERFACE BCN 51 ESE		Nummer: 1.812.412-20									

IND.	POS.NO.	PART NO.	VALUE	SPECIFICATIONS / EQUIVALENT	MANUF.
	A.....11	1.812.208.00		Assembly 406-11	St
	A.....13	1.812.208.00		Assembly 406-11	St
	A.....16	1.812.212.00		Assembly 412-16	St
	A.....21	1.812.208.00		Assembly 406-11	St
	A.....23	1.812.208.00		Assembly 406-11	St
	A.....36	1.812.215.00		Assembly 412-36	St
	A.....63	1.812.214.00		Assembly 412-63	St
	A.....72	1.812.201.00		Assembly 106-62	St
	C.....01	59.99.0205		68 n -20%, 63V , KER	
	C.....02	59.25.3470		47 u -10%, 16V , EL	
	C.....03	59.99.1200		.068u 20%, 63V , PE Quantity: 12	
	DL...01	50.C4.2107		LED RED; 555-2007	Di
	DL...02	50.C4.2107		LED red; 555-2007	Di
	DLQ..31	50.C4.2138		PC-847 , EE-CM 4	Tt,Sharp
	DLQ..32	50.C4.2138		PC-847 , EE-CM 4	Tt,Sharp
	DLQ..33	50.C4.2138		PC-847 , EE-CM 4	Tt,Sharp
	DLQ..41	50.C4.2138		PC-847, EE-CM 4	Tt,Sharp
	F.....01	51.01.0122		T3.15/250V, 5 * 20	
	IC...12	50.11.0104		LM 339 AN 339 A,UA 339	
	IC...17	50.06.0595		SN 74 LS 595 N	
	IC...18	50.C6.0004		SN 74 LS 04 N	
	IC...22	50.11.0104		LM 339 AN 339 A,UA 339	
	IC...27	50.C6.0123		SN 74 LS 123 N	
	IC...28	50.18.0012	see Note1	PAL 16 R 8 A-2 CN	MMI,NS
	IC...29	50.18.0010	see Note2	PAL 16 R 4 A-2 CN	MMI,NS
	IC...34	50.06.0000		SN 74 LS 00 N	
	IC...37	50.C7.0002		AD 7524 JN	,A
	IC...46	50.06.0540		SN 74 LS 540 N	
	IC...47	50.06.0540		SN 74 LS 540 N	
	IC...52	50.09.0101		TL 072 CP,LF 353 N	
	IC...61	50.06.0541		SN 74 LS 541 N	
	IC...62	50.06.0163		SN 74 LS 163 AN	

IND.	POS.NO.	PART NO.	VALUE	SPECIFICATIONS / EQUIVALENT	MANUF.
	IC...64	50.06.0014		SN 74 LS 14 N	
	IC...68	50.06.0273		SN 74 LS 273 N	
	IC...69	50.06.0273		SN 74 LS 273 N	
	IC...71	50.06.0540		SN 74 LS 540 N	
	IC...75	50.06.0645		SN 74 LS 645 N	
	IC...76	50.14.0125	see Note3	HN 4827128 G25	,A It,Hi
	IC...78	50.06.0164		SN 74 LS 164 N	
	IC...82	50.06.0139		SN 74 LS 139 N	
	IC...83	50.16.0107		MC 6803P-1, HD 6803P-1	,A Mot,Hi
	IC...85	50.06.1573		SN 74ALS 573 N,	
	IC...86	50.14.0107		HM 6116 LP-4,MSM 5128-15	,A Hi,OKI
	IC...88	50.16.0114		MC68 A52, HD68 A52, S68A52	,A Mot,Hi
	K.....01	56.02.1003		5 V 1*A 100V/0.5A, Print	
	L.....01	62.01.0115		Wide Band HF-Choke	
	P.....01	54.01.0354		Card Connector 3 * 32 Euro Wrap	
	RZ...01	57.88.4332		8 * 3.3K 5%, Single Line	
	RZ...02	57.88.4103		8 * 10K 5%, Single Line	
	RZ...03	57.88.4332		8 * 3.3K 5%, Single Line	
	RZ...04	57.99.2000		9 * 220 5%, Single Line	
	RZ...05	57.99.2000		9 * 220 5%, Single Line	
	RZ...06	57.88.4332		8 * 3.3K 5%, Single Line	
	RZ...07	57.88.4332		8 * 3.3K 5%, Single Line	
	SZ...81	55.01.0164		4 * A DIL.	

INC.	PCS.NO.	PART NO.	VALUE	SPECIFICATIONS / EQUIVALENT	MANUF.
------	---------	----------	-------	-----------------------------	--------

Note 1: Software release 1.812.993.20 (IC 28) PAL BCN-Seqenzer
 Note 2: Software release 1.812.994.20 (IC 29) PAL BCN-Comperator
 Note 3: Software release 1.812.956.20 (IC 76)

CER = Ceramic, EL = Electrolytic, MPETP = Met. Polyester

MANUFACTURER : Mot = Motorola, Hi = Hitachi,
 CKI = CKI Semiconductor, It = Intel,
 St = Studer, MMI = Monolithic Memories Inc.,
 NS = National Semiconductors, Tt = Tatheisi,
 Sharp, Di = Dialco

STUDER

INTERFERENZKABEL BCU 51

5H

1.023.712.00

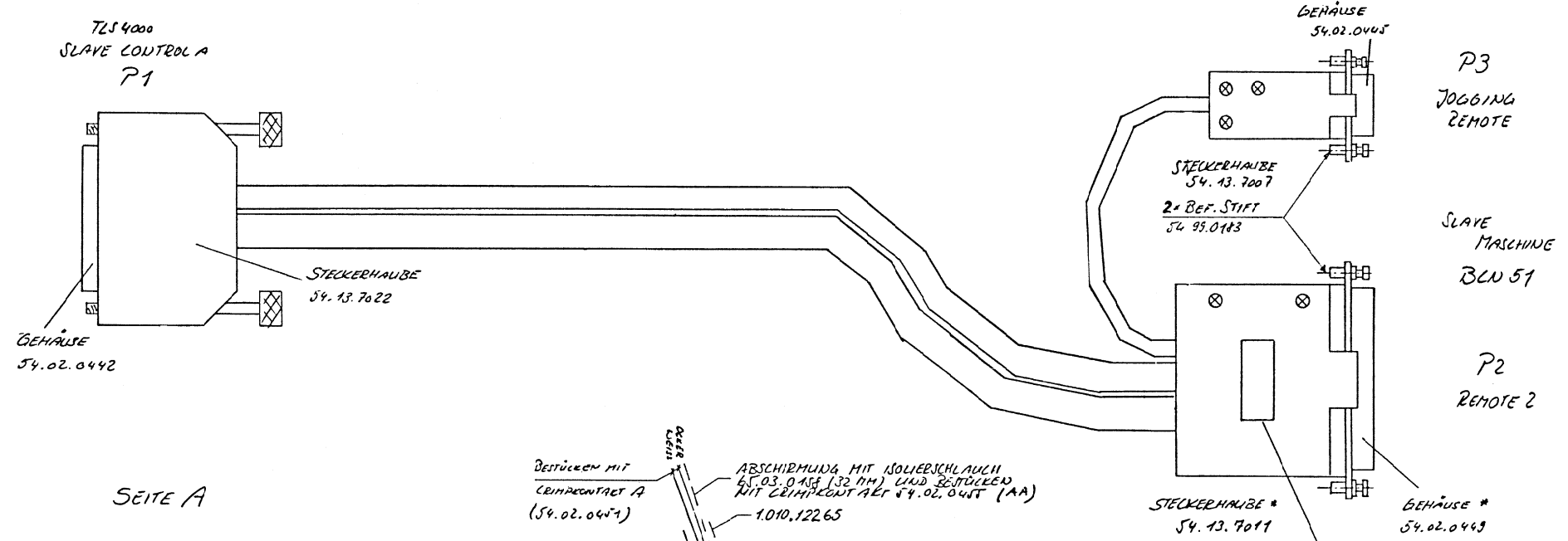
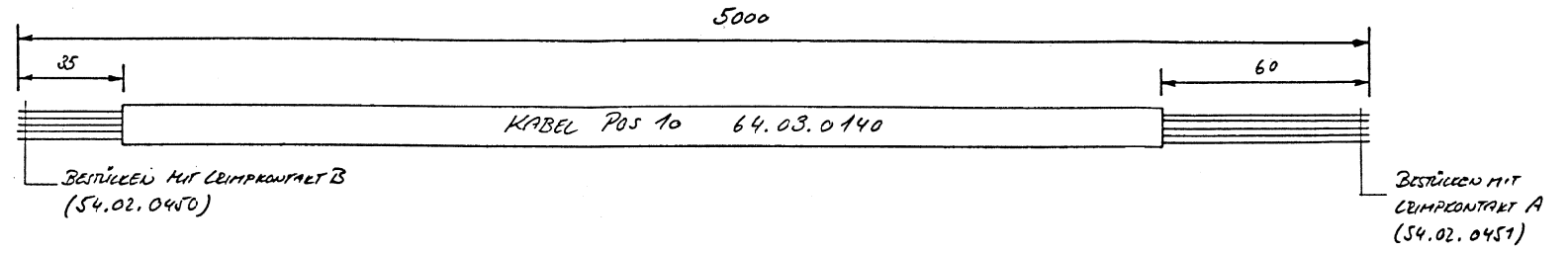
0 86.05.27 A. Schmid

1 86.08.04 A. Schmid

TL5 4000

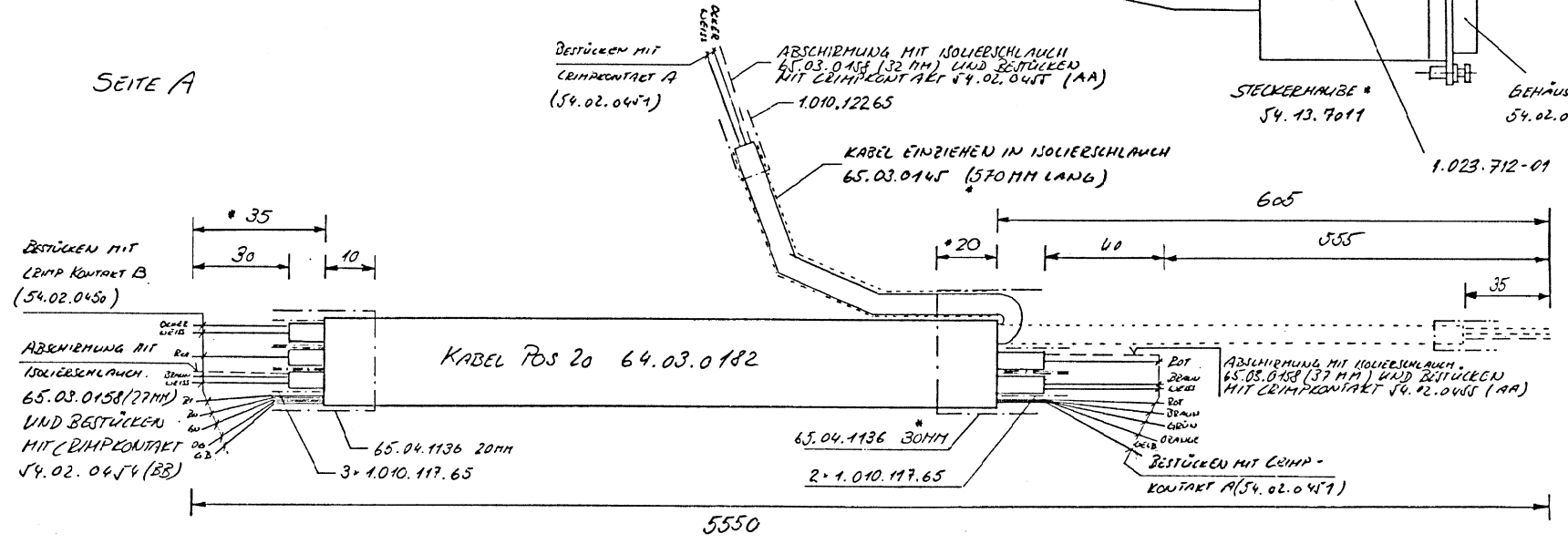
...

PAGE 1 OF 1

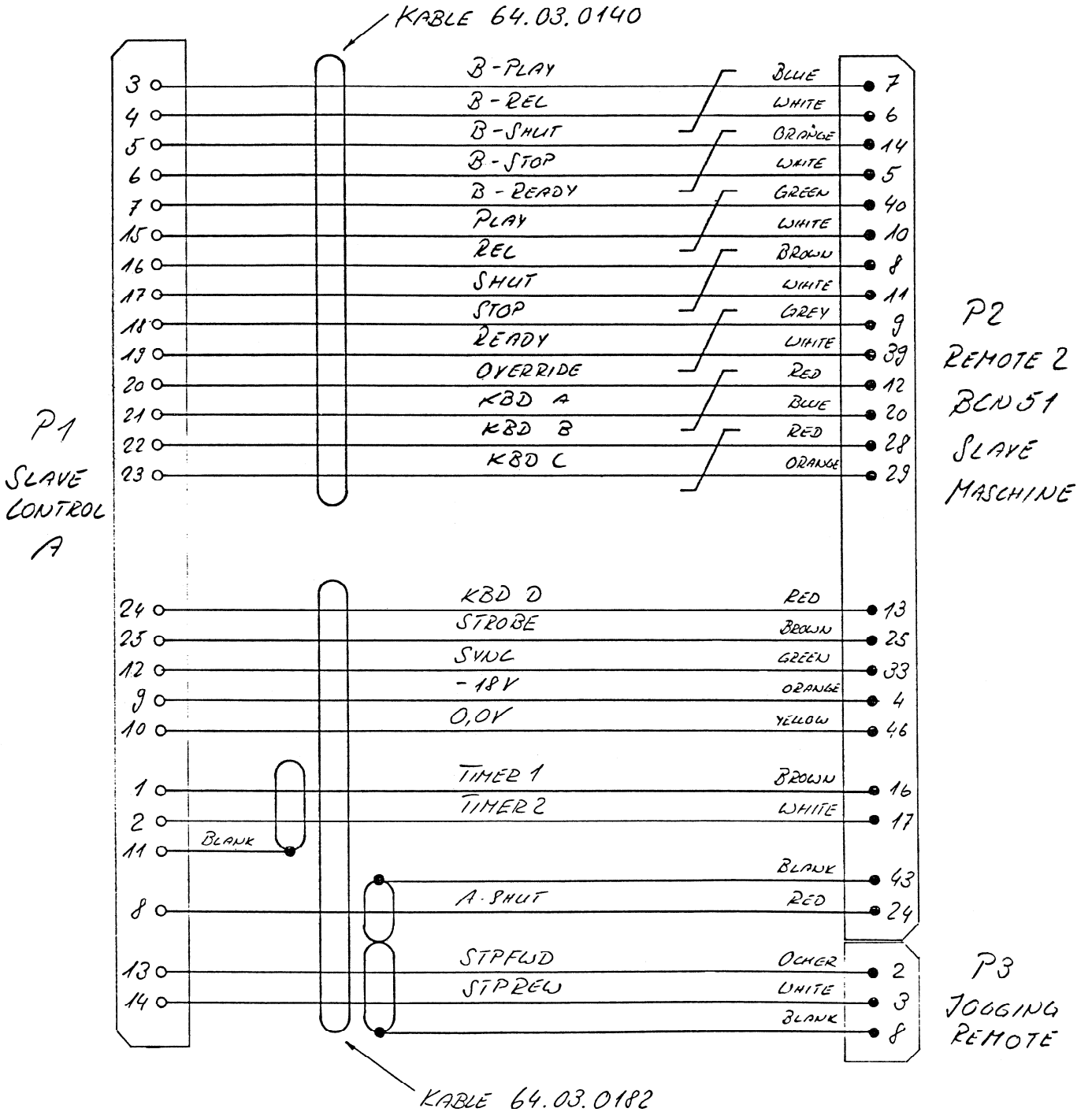


SEITE A

SEITE B



TLS 4000



① 26.05.87 A. SCHMID	○ ..	○ ..	○ ..	○ ..
	TLS 4000 MK 2			PAGE OF
STUDER	INTERFALE KABEL BCN 51 5M		JL	1.023.712.00

